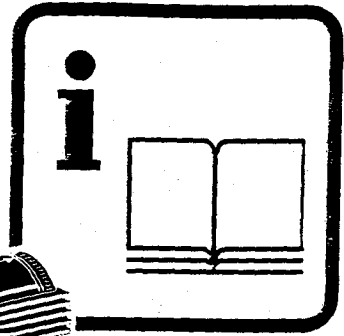
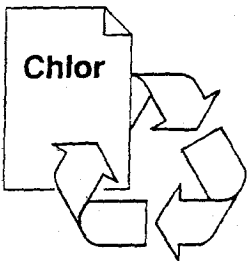


0.601.943.741

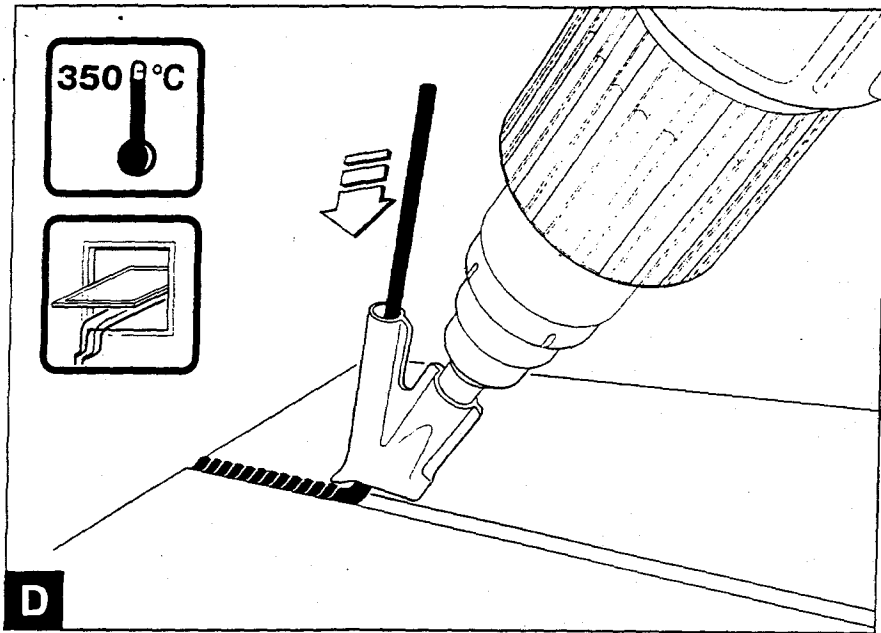
0.601.943.742



GHG 650 LCE

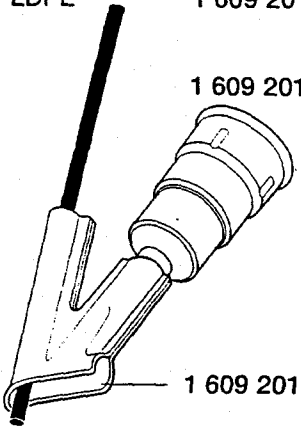


BOSCH



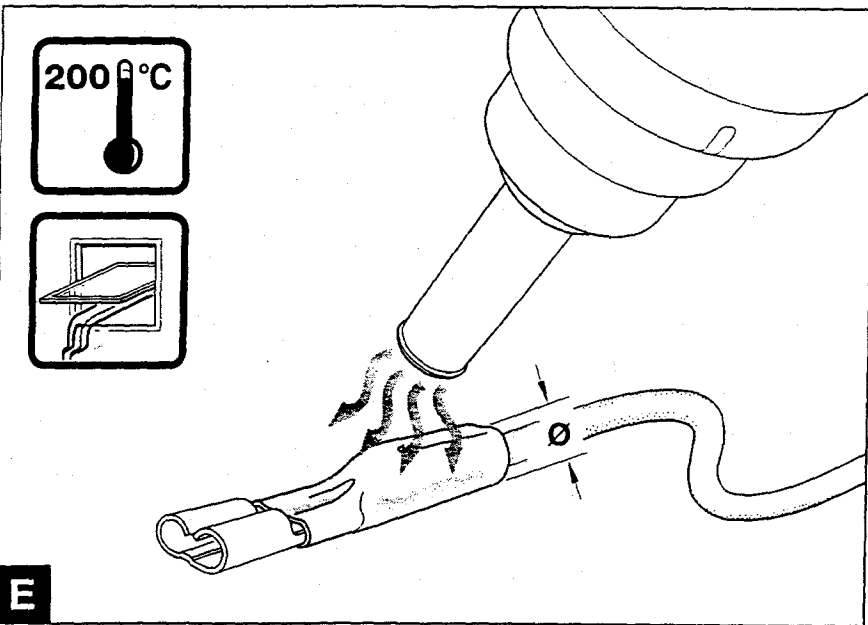
D

PE	1 609 201 807
PVC (hard)	1 609 201 808
PVC (soft)	1 609 201 809
PP	1 609 201 810
LDPE	1 609 201 811

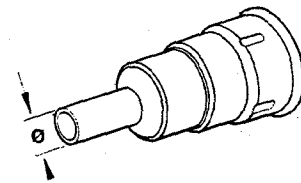


1 609 201 797

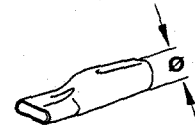
1 609 201 798



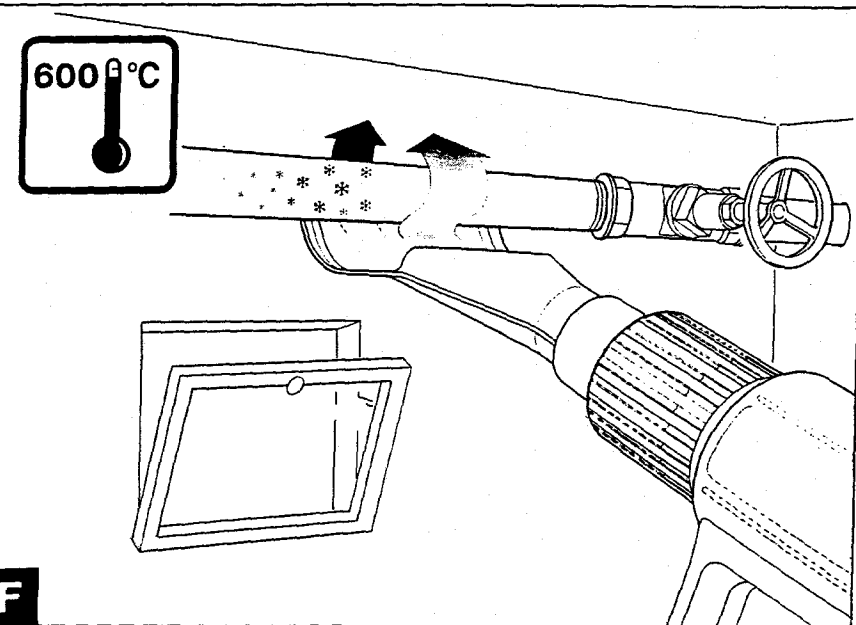
E



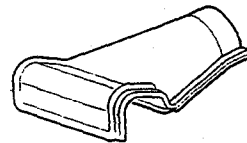
∅ 9 mm	1 609 201 797
∅ 14 mm	1 609 201 647
∅ 20 mm	1 609 201 648



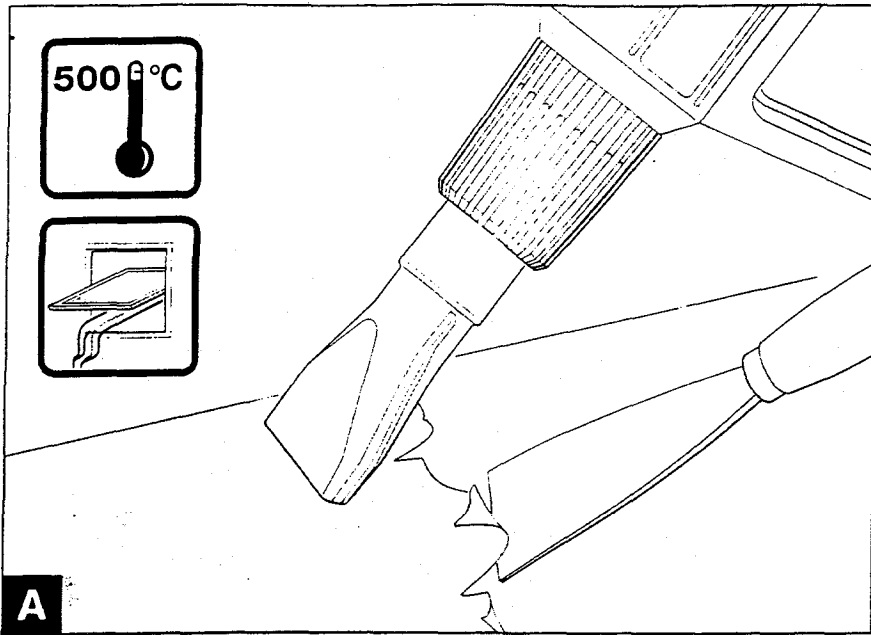
∅ 2,4-4,8 mm	1 609 201 812
∅ 4,8-9,5 mm	1 609 201 813



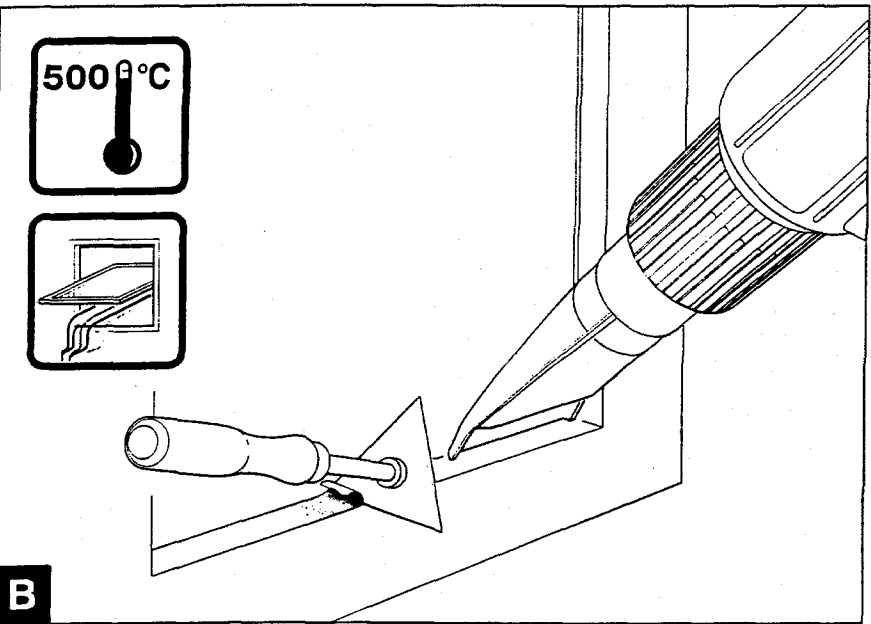
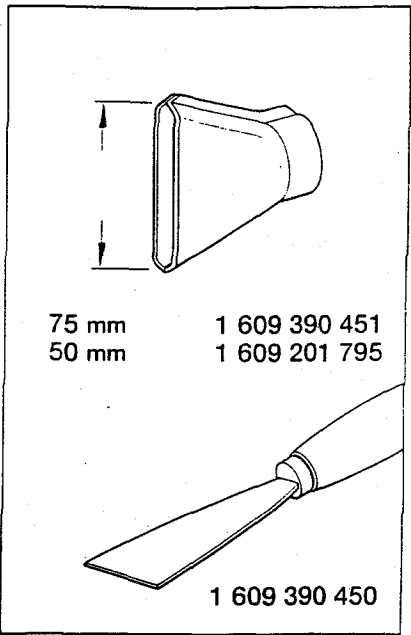
F



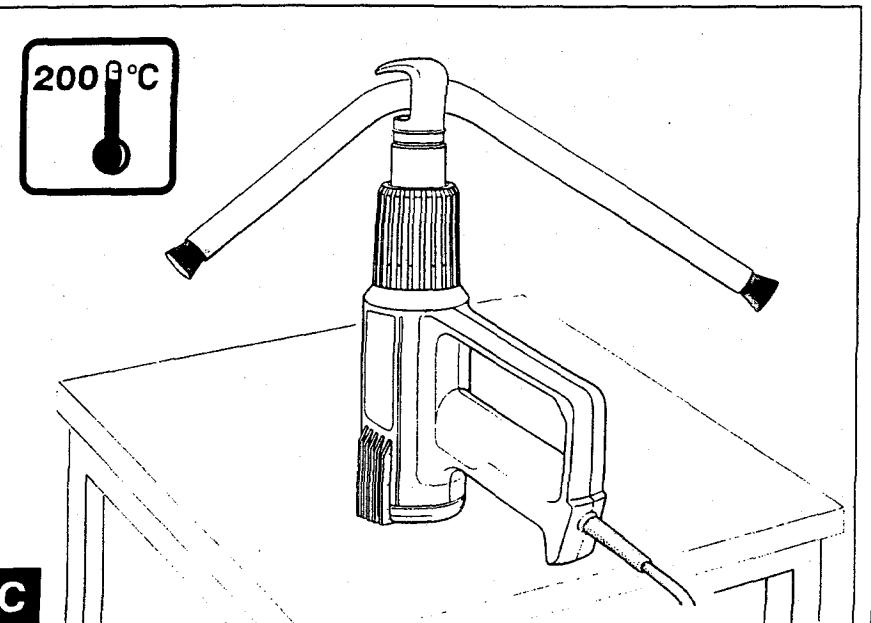
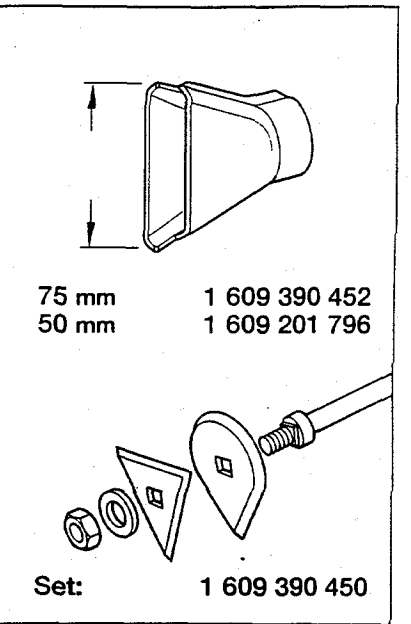
80 mm	1 609 201 751
-------	---------------



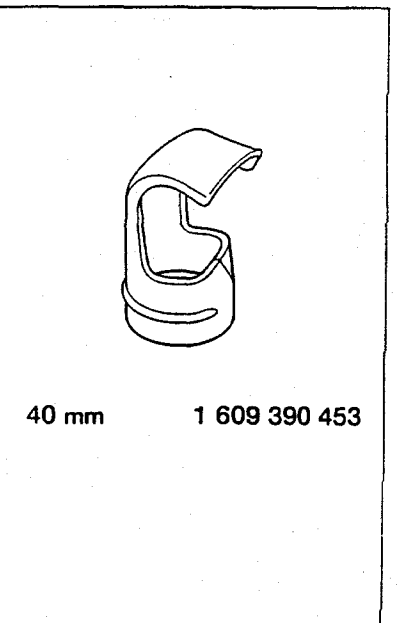
A

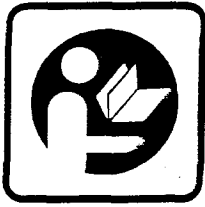


B



C





1

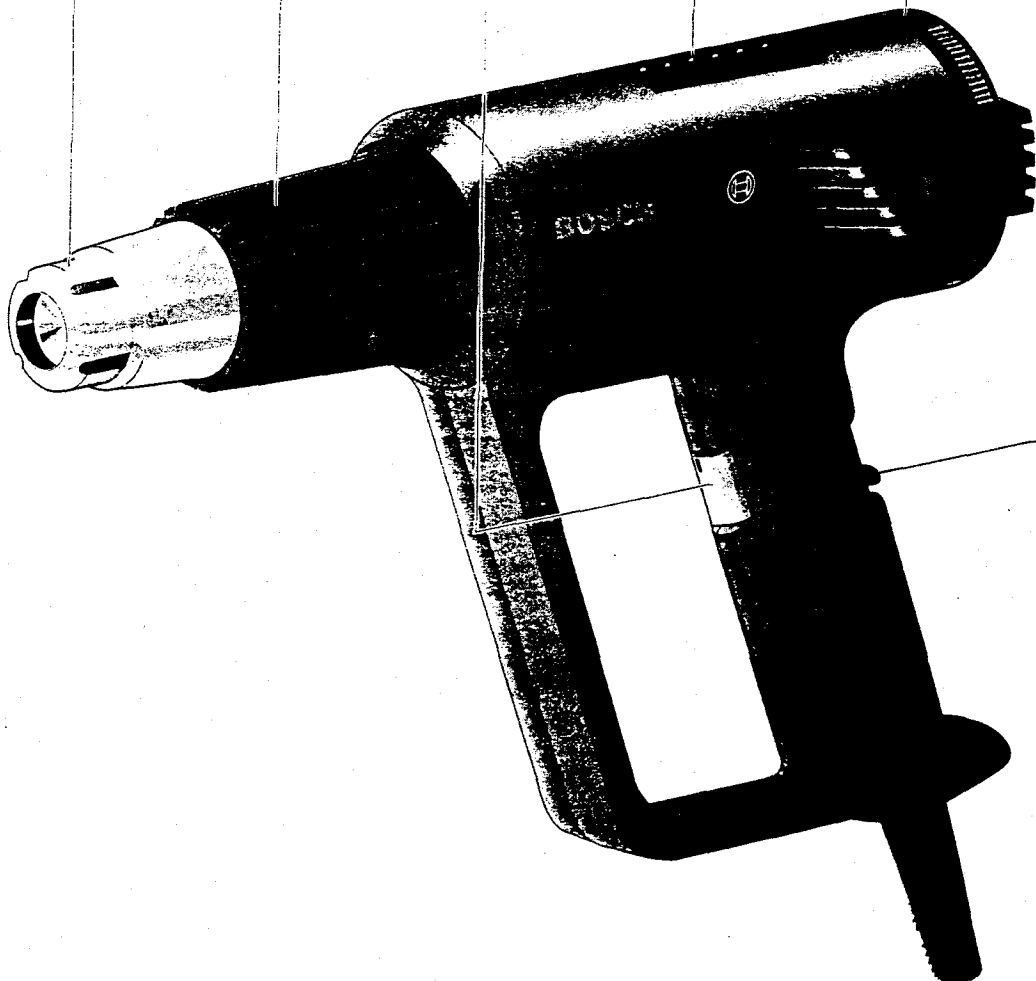
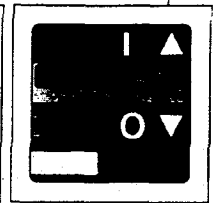
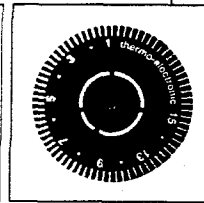
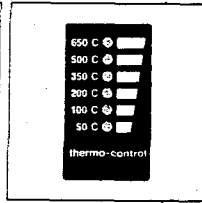
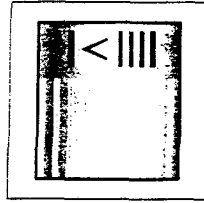
2

3

4

5

6



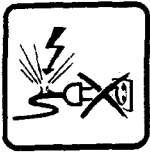
For your safety



The tool can only be used safely after the operating instructions have been read and fully complied with.



Do not use the tool if damp or if the surroundings are damp.



Always check the tool, power cord and plug before use. In the event of damage, repair work should only be carried out by a specialist.



The powerful heating effect of this tool increases the risk of fire and explosion. Gases and vapours which occur may be harmful. Always ensure the workplace is well ventilated.

- Never use the tool as a hair drier.
- The voltage of the power source must conform to the voltage specified on the nameplate.
- Only connect the power plug when the tool is OFF. Disconnect the power plug after use.
- Always disconnect the power plug before performing any work on the tool. Do not carry the tool by the power cord.
- Always keep the extension cable well away from the workplace.
- **Danger of burns!**
Do not touch the hot nozzle. Wear protective gloves. Allow the tool to cool down completely before storage. A hot nozzle can cause damage.
- The tool must not be used without supervision.
- Keep the tool and accessories out of the reach of children.
- Never direct the hot air flow at persons or animals.
- **Danger of fire and explosion!**
Inflammable and poisonous gases may be produced when working with plastics, paints (especially older types of paint), varnishes and similar materials.
Never use the tool in the proximity of highly inflammable gases or materials.
- Do not hold the nozzle outlet too close to the workpiece as the resulting build-up of air can cause the tool to overheat.
- Only use original Bosch accessories.

For further safety instructions see enclosed sheet 1 609 929 150.

Operating controls

GB

- 1 Nozzle
- 2 Heat protection
- 3 Infinitely variable air flow control
- 4 Temperature display
- 5 Temperature setting dial (thermo-electronic)
- 6 ON/OFF switch

Tool characteristics

Order number	0 601 943 7..	0 601 943 741
Voltage	230 V	110 V
Max. output	2000 W	1400 W
Temperature display	LED	LED
Temp. at nozzle outlet	≈ 50 ... 650° C	≈ 50 ... 600° C
Air flow (l/min)	250 ... 500	200 ... 400
Weight (approx.)	0.9 kg	0.9 kg
Protection rating	□ / II	□ / II

RFI suppression

The tool is RFI suppressed in accordance with the directives 76/889/EEC and 82/499/EEC or DIN 57 875/VDE 0875.

Before start-up

Make sure that the correct voltage is used. The voltage specified on the nameplate must conform to the supply voltage. Tools rated for 230 V can also be operated on a 220 V power supply.

The power cord and plug must be in perfect condition.

If the nozzle is hot or if you wish to have both hands free when working, you can set the tool down in an upright position on its base. (see Figure C).

Start-up


Air flow setting:

The air flow is set steplessly with air flow controller 3.

A lower air stage may be required in certain cases, e.g. to avoid overheating the workpiece's surroundings or to avoid displacing the workpiece if the air flow is too strong.

A higher air stage heats up the workpiece more quickly and enables the hot air gun to be held at a greater distance from the workpiece.

ON/OFF switch






 (Cool air stage) 250 ... 500 l/min

For cooling down a hot workpiece or for drying paint.

 (Hot air stage) 250 ... 500 l/min

Temperature control (thermo-electronic).

The temperature can be controlled steplessly with the setting dial 5 and switch 6 in setting II.

thermo-electronic			
		 °C	
		230 V	110 V
	1-15	≈ 50	≈ 50
	1	≈ 50	≈ 50
	3	150-180	140-170
	5	260-290	240-270
	7	340-370	310-340
	9	400-420	380-400
	11	490-510	460-480
	13	570-590	530-550
	15	630-650	580-600

Temperature displays:

The temperature is displayed via LED 4.

Instructions for use

Danger of fire and explosion!

Inflammable and poisonous gases may be produced when working with plastics, paints (especially older types of paint), varnishes and similar materials.

The ideal temperature should first be ascertained by performing a test. You should therefore start with a low temperature setting. The temperatures specified in the illustrated examples of use are recommended values which can vary depending on the properties of the workpiece. The distance between the nozzle and workpiece is dependent on the material to be processed. Additional information can be found in popular DIY books.

Bosch stocks an extensive range of accessories (see Bosch Accessories catalogue) which offer a wide range of other applications.

The sections indicated by capital letters in the instructions for use below refer to the illustrated examples of use on the fold-out page in this manual.

A Removing paint / dissolving adhesives

Fit the flat nozzle. Soften the paint using hot air and remove evenly using the spatula. Do not heat the paint for too long since this will burn the paint, making it more difficult to remove. To carry out work in confined spaces, remove the heat protection 2. Many adhesives (e.g. stickers) become softer when heated, allowing adhesive bonds to be separated and superfluous adhesive to be removed.

B Removing paint from windows

Glass can break easily.

Always use the glass protection nozzle.

On profiled surfaces, paint can be removed using a spatula and brushed off using a soft wire brush.

C Shaping plastic tubing

Fit the reflector nozzle. To avoid kinking the tubing, fill the tubing with sand and seal at both ends. Heat the tubing evenly by moving it from side to side.

D Welding plastics

Fit the reducing and welding nozzles. The materials to be welded and the weld seam must be made of the **same material** (e.g. PVC with PVC). The seam must be clean and grease-free. Heat the seam until tacky, then apply the weld seam to produce an even bead. Please note that the temperature difference between the tacky and liquid state of a plastic is very small.

E Shrink fitting

Fit the reducing nozzle. Select a heat-shrinkable sleeve (see Accessories) with a diameter matching that of the workpiece, e.g. cable lug. Heat the heat-shrinkable sleeve evenly.

F Defrosting water pipes

Do not attempt to defrost PVC piping.

Fit the reflector nozzle. Always heat the frozen area inwards from the edge to the centre.

Note: Water pipes are often difficult to distinguish from gas pipes. Copper pipes are joined using tin and should therefore not be heated above 200° C.

Maintenance and care

Always disconnect the power plug before carrying out any work on the tool.

The air inlets must be unblocked and clean. Clean if dirty. Avoid sucking in dust or sawdust, as this will cause the tool to malfunction.

The appliance is maintenance-free. If, despite careful production and rigorous quality assurance, damage is found, the appliance may only be repaired by an authorised service workshop for Bosch electrical tools.

Warranty and service

This unit is maintenance-free. We provide warranty against defects in materials and manufacture for all Bosch units in accordance with legal requirements.

Service: ☎ (08 95) 83 84 26

Subject to change

BOSCH



Robert Bosch GmbH
Geschäftsbereich Elektrowerkzeuge
D-7022 Leinfelden-Echterdingen

SCINTILLA AG
CH-4501 Solothurn/Schweiz

1 609 929 410

Printed in Federal Republic of Germany - Imprimé en République Fédérale d'Allemagne